

- Brass body improves durability, offers you long lasting performance
- Solid Stainless Steel 304 Probe, resistance to chemicals
- Designed for Key Kegs
- With New Eagle Handle, Sturdy Design work more comfortable for operators



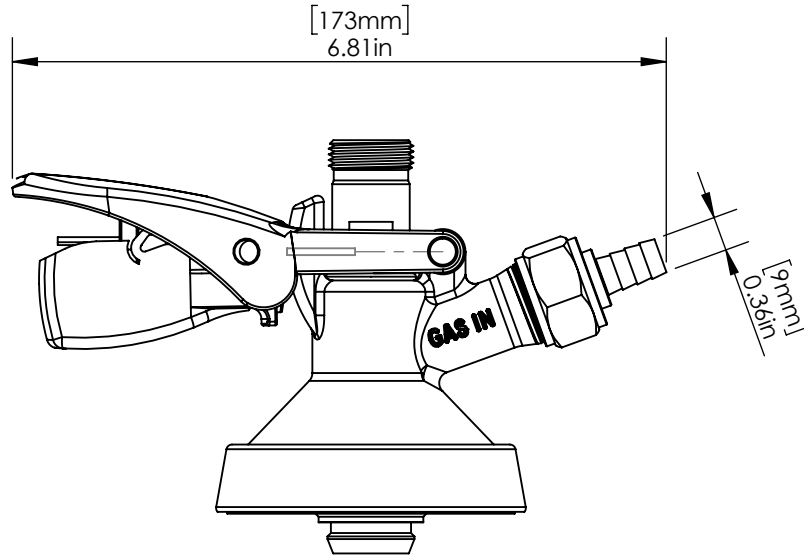
C5003

Electro Polish

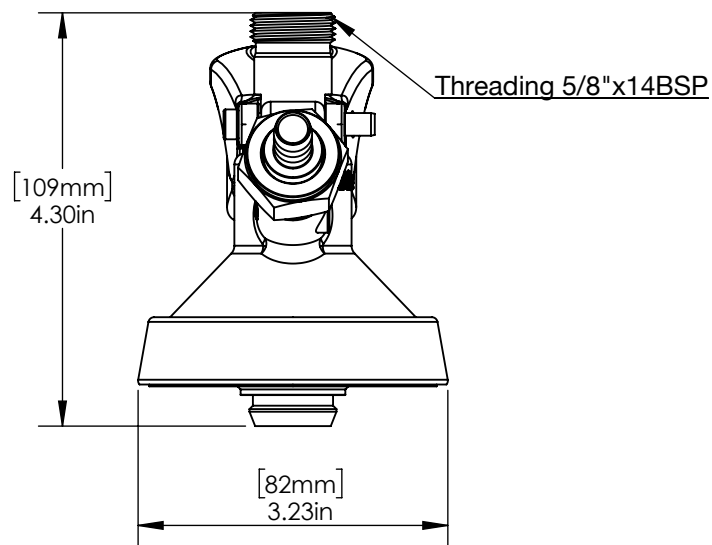


No Options Available

Product Dimensions:-



Front View



Side View

US & Canada :- +1-678 666 2001

Asia:- +91-9814203010

Krome Dispense reserves the right to make revisions to product specifications without any notice

For most updated specification sheet , go to www.kromedispense.com

