

NATURE 135



NATURE SERIES

R290

New Refrigerant
MORE COOLING
LESS ENERGY



Under-Counter Pre-Mix Cooler

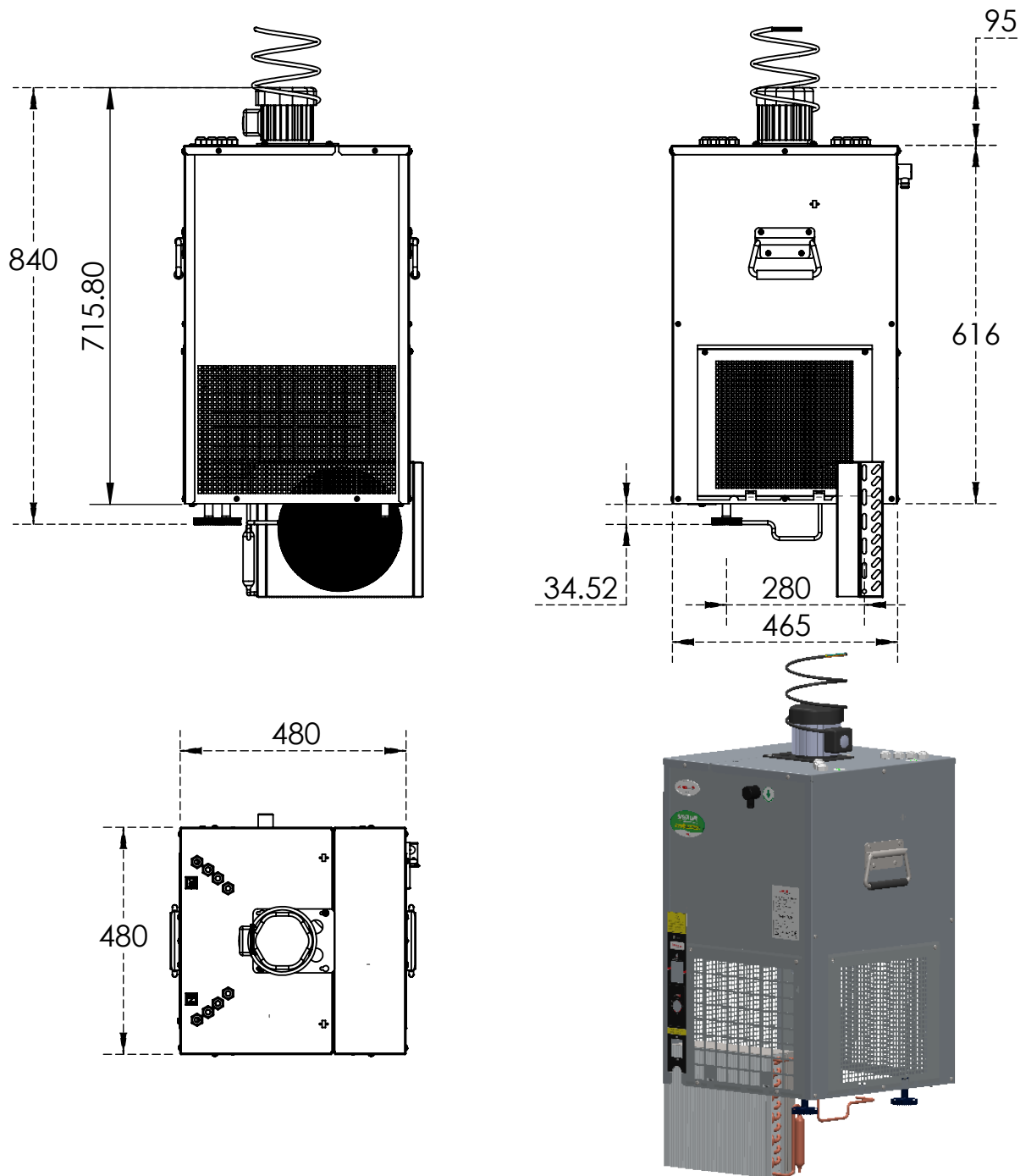
Product Features

- Upgradeable 1 to 8 beer lines.
- Compressor 1/3 HP
- 22mm thick insulation.
- Brushed Stainless Finish -430 Grade
- Cooling capacity 135 ltr/hr at 22 °C to 4 °C
- Environment friendly gas R290 refrigerant causes less harm to mother nature
- Stainless Steel base that has anti rust properties
- Base have little height due to pad stand, Prevents it from floor water contact
- Technical maintenance makes very easy with special opening from every side
- SS304 beer coils with 8mm OD and 7mm ID

Product Specifications

Power in HP	1/3 HP
Output in ltr/hr	135 l/h
Minimum Temperature of Beverage	4-6 °C
No. of cooled coils and beverages	1-8
Power Supply	230V/50Hz
Amperage	4A
Power Input	895W
Ice Bank	20-25 Kg
Capacity of water tank	50 L
Weight	50 Kg
Cabin Dimensions (mm)	480 x 480 x 712
Beverage Temperature IN/OUT	24 °C to 4 °C

Product Dimensions:-



Options Available :-

Part no.	No. of Beer Coils
C1672	Without Coil
C1672X2	2
C1672X4	4
C1672X6	6
C1672X8	8

Note: Amperage and voltage value can be fixed according to there respective countries

US & Canada :- +1-678 666 2001

Asia:- +91-9814203010

Krome Dispense reserves the right to make revisions to product specifications without any notice

For most updated specification sheet , go to www.kromedispense.com

Krome
dispense